

SMD Type Power Inductors 晶片型功率電感

CHCPW Series

Unshielded Power Inductor 無護殼型



Features

- 1.Low cost,high performance inductor.
- 2.Supper low resistance with high current rating

特徵

- 1.低成本高表現之電感。
- 2.超低的電阻及高額定電流

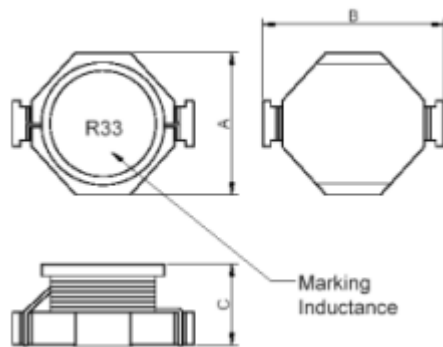
Applications

Excellent as DC-DC Converter used in notebook computers, PDA, step down converters.

應用

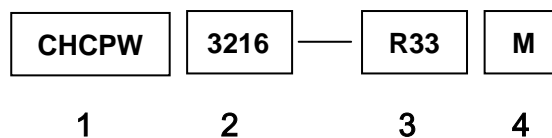
適合用於筆記型電腦、增壓或降壓整流器中直流一直流的整流器。

Dimensions



Size	A(mm)	B(mm)	C(mm)
CHCPW 3316	9.91	13.50	6.35
CHCPW 5022	16.26	22.35	8.00

Part Numbering



- 1 . Series
- 2 . Dimension : A*C
- 3 . Inductance : 1R0 =1.0uH
- 4 . Inductance Tolerance : J=±5% , K=±10% , M=±20%

CHCPW 3316 Series

Part Number	Inductance (uH)	Test Frequency (Hz)	DCR (Ω)max	I rms1 (A)	I rms 2 (A)	I sat (A)
CHCPW 3316-R33M	0.33±20%	0.1V/100K	300	0.002	16.0	20.0
CHCPW 3316-R68M	0.68±20%	0.1V/100K	200	0.005	12.0	13.0
CHCPW 3316-1R0M	1.0±20%	0.1V/100K	100	0.006	10.0	11.0
CHCPW 3316-1R5M	1.5±20%	0.1V/100K	90	0.008	9.0	9.0
CHCPW 3316-2R2M	2.2±20%	0.1V/100K	90	0.011	7.4	7.8
CHCPW 3316-2R7M	2.7±20%	0.1V/100K	65	0.012	6.6	7.0
CHCPW 3316-3R3M	3.3±20%	0.1V/100K	65	0.014	5.9	6.4
CHCPW 3316-4R7M	4.7±20%	0.1V/100K	45	0.018	4.8	5.4
CHCPW 3316-5R6M	5.6±20%	0.1V/100K	40	0.022	4.6	5.0
CHCPW 3316-6R8M	6.8±20%	0.1V/100K	36	0.027	4.4	4.6
CHCPW 3316-8R2M	8.2±20%	0.1V/100K	28	0.032	4.0	4.0
CHCPW 3316-100M	10±20%	0.1V/100K	25	0.038	3.9	3.8

CHCPW 5022 Series

Part Number	Inductance (uH)	Test Frequency (Hz)	DCR (Ω)max	I rms1 (A)	I rms 2 (A)	I sat (A)
CHCPW 5022-R78M	0.78±20%	0.1V/100K	156	0.0026	15	30
CHCPW 5022-1R5M	1.5±20%	0.1V/100K	100	0.004	15	25
CHCPW 5022-2R2M	2.2±20%	0.1V/100K	75	0.006	12	20
CHCPW 5022-3R3M	3.3±20%	0.1V/100K	60	0.008	10	17
CHCPW 5022-3R9M	3.9±20%	0.1V/100K	55	0.010	9.0	15
CHCPW 5022-4R7M	4.7±20%	0.1V/100K	40	0.014	8.4	13
CHCPW 5022-6R0M	6.0±20%	0.1V/100K	35	0.017	7.5	12
CHCPW 5022-7R8M	7.8±20%	0.1V/100K	35	0.018	7.5	11
CHCPW 5022-100M	10±20%	0.1V/100K	28	0.026	6.0	10
CHCPW 5022-150M	15±20%	0.1V/100K	20	0.032	4.4	8

Note: 1.Inductance measured by LCR Meter HP4294/HP4291
 2.DCR measured by Milliohm meter CH502AC
 3.SRF measured by Network analyser HP 4294 /HP4291
 4.SRF is for reference only.