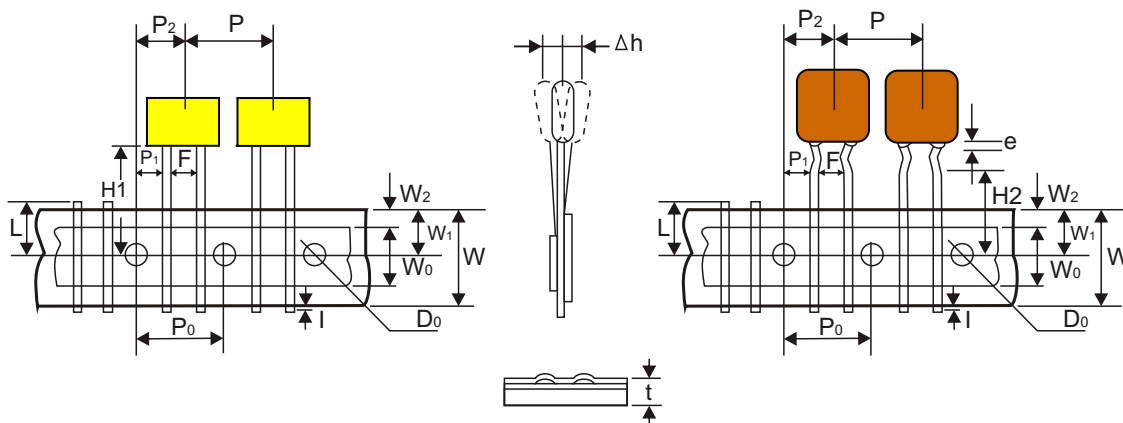


FILM CAPACITORS

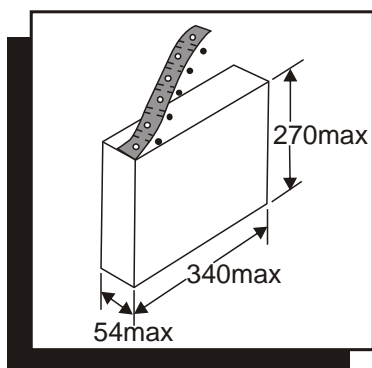
Radial Taping Specifications 立式塑膠電容器編帶包裝規格



Unit: mm

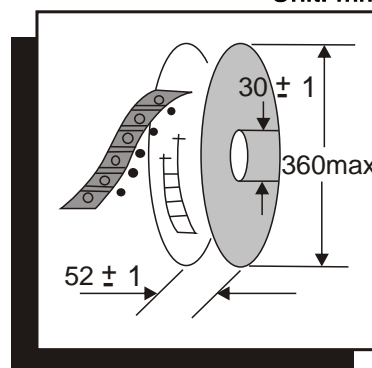
Item 項目	Symbol 符號	Size 尺寸	Remarks 備註	
Pitch of component 部品間寬距	P	12.7	± 1.0	
Feed hole Pitch 進料孔寬距	P0	12.7	± 0.3	
Feed hole center to lead 進料孔到引線寬	P1	3.85	± 0.7	
Hole center to component center 進料孔到部品中心寬度	P2	6.35	± 1.3	
Lead-to-lead distance 引線寬度	F	5.0	± 0.8	
Component alignment 部品排列偏度	Δh	0	± 2.0	
Tape width 紙帶寬度	W	18.0	+ 1.0 – 0.5	
Hold-down tape width 膠帶寬度	W0	11.0	min.	
Hole position 進料孔位置	W1	9.0	+ 0.75 – 0.5	
Hold-down tape position 膠帶位置	W2	3.0	max.	
Height of Component from tape center 部品與紙帶中心高度	for Straight Lead Type 直引線型	H1	20.0	± 0.75
	for Kinked Lead Type 彎引線型	H2	18.0	± 0.5
Coating rundown on leads 引線漆長	e	1.5	Max.	
Lead-wire protrusion 引線凸出量	l	2.0	max.	
Feed hole diameter 進料孔直徑	D0	4.0	± 0.3	
Total tape thickness 總紙帶厚度	t	0.7	± 0.2	
Length of snapped lead 裁切引線長度	L	11.0	max.	

AMMOPACK 編帶盒裝



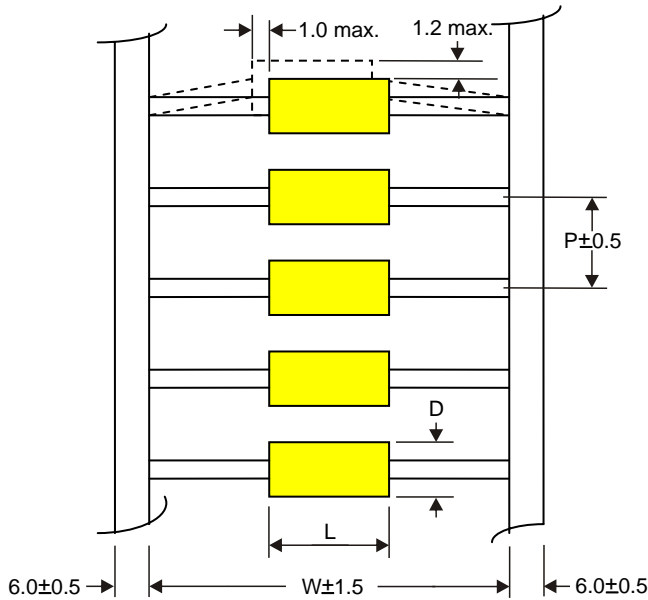
REEL 編帶捲裝

Unit: mm



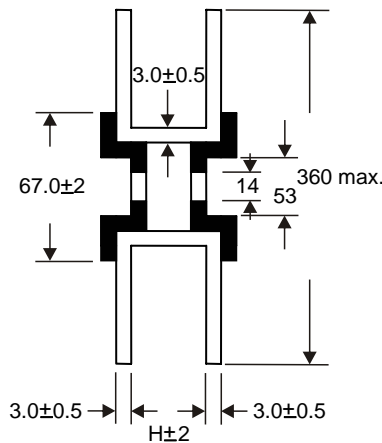
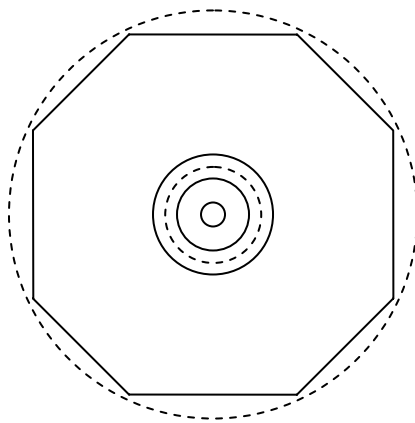
FILM CAPACITORS

Axial Taping Specifications 臥式塑膠電容器編帶包裝規格



Unit: mm

Package	Specifications			Case (D)
	W	P	L	Dia. (ϕ)
Reel Pack	52	5	≤ 16.5	≤ 5
	52	10		5, 6, 8
	63	10	16.5	5, 6, 8
	63	15	28.5	10 / 13



Unit: mm

W	H	Dia. ($D\phi$)	Q'ty(pcs)
52 (63)	70 (82)	5	1,500
		6	1,000
		8	700
		10	300
		13	250