

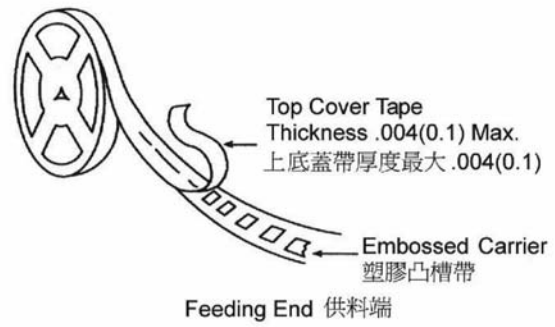
### 晶片電阻之包裝

#### Packing Specifications of Chip Resistors

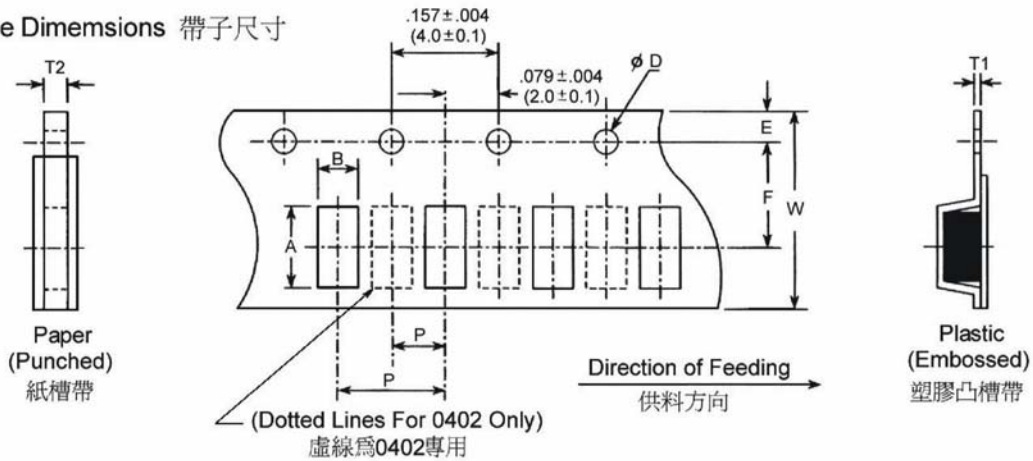
##### ■ Paper Carrier 紙槽帶



##### ■ Embossed Plastic Carrier 塑膠凸槽帶



##### ■ Tape Dimensions 帶子尺寸



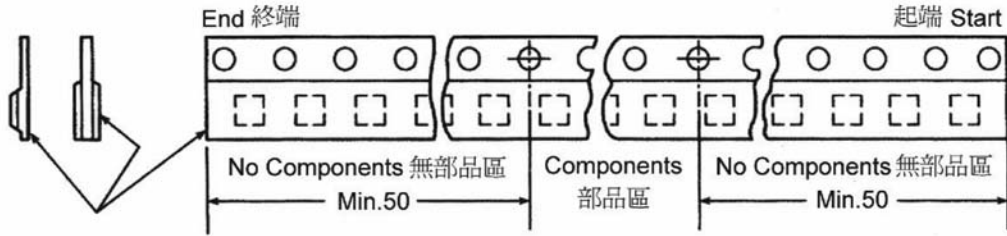
Unit : inch(mm)

SIZE 尺寸	A	B	W	E	F	T1	T2	P	D
0402	.045 ± .004 (1.15 ± .1)	.026 ± .004 (.65 ± .1)	.315 ± .008 (8.0 ± .2)	.069 ± .004 (1.75 ± .1)	.138 ± .002 (3.5 ± .05)	—	.018 ± .004 (.45 ± .1)	.079 ± .004 (2.0 ± .1)	.059 ± .004/-0 (1.5 ± .1/-0)
0603	.075 ± .004 (1.9 ± .1)	.043 ± .004 (1.1 ± .1)	.315 ± .008 (8.0 ± .2)	.069 ± .004 (1.75 ± .1)	.138 ± .002 (3.5 ± .05)	—	.024 ± .004 (.60 ± .1)	.157 ± .004 (4.0 ± .1)	.059 ± .004/-0 (1.5 ± .1/-0)
0805	.094 ± .004 (2.4 ± .1)	.065 ± .004 (1.65 ± .1)	.315 ± .008 (8.0 ± .2)	.069 ± .004 (1.75 ± .1)	.138 ± .002 (3.5 ± .05)	.01 ± .002 (.25 ± .05)	.030 ± .004 (.75 ± .1)	.157 ± .004 (4.0 ± .1)	.059 ± .004/-0 (1.5 ± .1/-0)
1206	.138 ± .004 (3.5 ± .1)	.075 ± .004 (1.9 ± .1)	.315 ± .008 (8.0 ± .2)	.069 ± .004 (1.75 ± .1)	.138 ± .002 (3.5 ± .05)	.01 ± .002 (.25 ± .05)	.030 ± .004 (.75 ± .1)	.157 ± .004 (4.0 ± .1)	.059 ± .004/-0 (1.5 ± .1/-0)
1210	.138 ± .004 (3.5 ± .1)	.11 ± .004 (2.8 ± .1)	.315 ± .004 (8.0 ± .1)	.069 ± .004 (1.75 ± .1)	.138 ± .002 (3.5 ± .05)	.008 ± .002 (.2 ± .05)	.030 ± .004 (.75 ± .1)	.157 ± .004 (4.0 ± .1)	.059 ± .004/-0 (1.5 ± .1/-0)
2010	.220 ± .008 (5.6 ± .2)	.11 ± .008 (2.8 ± .2)	.472 ± .004 (12.0 ± .1)	.069 ± .004 (1.75 ± .1)	.217 ± .002 (5.5 ± .5)	.008 ± .002 (.2 ± .05)	—	.157 ± .004 (4.0 ± .1)	.059 ± .004/-0 (1.5 ± .1/-0)
2512	.264 ± .008 (6.7 ± .2)	.142 ± .008 (3.6 ± .2)	.472 ± .004 (12.0 ± .1)	.069 ± .004 (1.75 ± .1)	.217 ± .002 (5.5 ± .5)	.008 ± .002 (.2 ± .05)	—	.315 ± .004 (8.0 ± .1)	.059 ± .004/-0 (1.5 ± .1/-0)

### 晶片電阻之包裝

#### Packing Specifications of Chip Resistors

##### ■ Tape Structure 帶子的結構

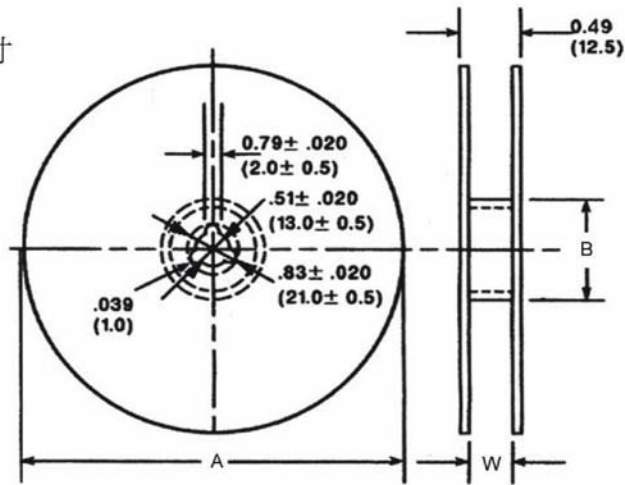


Top Cover Tape  
上底蓋帶

Pockets Sealed with Cover Tape  
底蓋帶封裝部品槽



##### ■ Reel Dimensions 捲盤的尺寸



Unit : inch(mm)

A	B	Quantities/Reel 每卷數量									
		Paper Carrier 紙槽帶					Plastic Carrier 塑膠凸槽帶				
		0402	0603	0805	1206	1210	0805	1206	1210	1210	2512
7" (178mm)	3.15" (60mm)	10,000	5,000	5,000	5,000	5,000	4,000	4,000	4,000	4,000	2,000
10" (254mm)	3.15" (60mm)	20,000	10,000	10,000	10,000	10,000	_____	_____	_____	_____	_____
13" (330mm)	3.15" (60mm)	40,000	20,000	20,000	20,000	20,000	_____	_____	_____	_____	_____
W		0.39" (10mm)				0.55" (14mm)	0.39" (10mm)		0.55" (14mm)		