

ALUMINUM ELECTROLYTIC CAPACITORS

SIH 105°C Snap-in Type Series

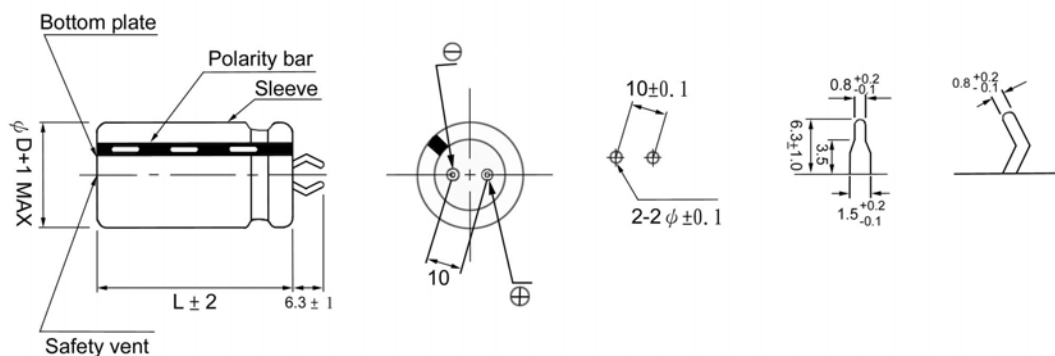


- Snap-In 端子 標準品, 適用於各型電源電路及產品
- 產品壽命保證 1,000 小時 / 105°C
- Designed for PCB mount and suitable for power filtering circuit.
- Life guaranteed 1,000hr.s/105°C.

• Specifications

Item	Performance Characteristics										
Operating Temperature range 使用溫度範圍	-40 + 105°C					-25 + 105°C					
Rated Voltage 額定電壓	16V ~ 250V					350V ~ 450V					
Capacitance Range 容量範圍	56 ~ 47,000 μ F										
Capacitance Tolerance 靜電容量容許量	\pm 20% (120Hz, 20°C)										
Leakage Current 洩漏電流	$I \leq 3\sqrt{CV}$ or 4 μ A, whichever is greater after 5 minutes application of rated voltage.										
Dissipation Factor 散逸因素 (120Hz, 20°C)	Rated voltage (V)	16	25	35	50	63	80	100	160~250	350~450	
	Tan δ (max.)	0.50	0.40	0.35	0.30	0.25	0.20	0.20	0.15	0.25	
Temperature Characteristics 溫度特性 (120Hz)	Impedance Ratio / Stability at Low Temperature										
	Rated voltage (V)	16 ~ 100			160 ~ 250			350 ~ 450			
	Z (-25°C) / Z (20°C)	4			3			8			
	Z (-40°C) / Z (20°C)	15			12			-			
Load Life 高溫負荷特性	After 1,000 hours application of WV at 105°C, capacitor shall meet the characteristics requirements mentioned below.										
	Capacitance change	Within \pm 20% of initial value									
	Tan δ	200% or less of initial specified value									
	Leakage current	Initial specified value or less									
Shelf Life 擺置壽命	After leaving capacitors under no load at 105°C for 500 hours and applying voltage according to JIS C5102 and C5141, they shall meet the specified value as load life characteristics listed above.										

• Dimension



• Frequency coefficient of allowable ripple current

WV \ Frequency	50Hz	60Hz	120Hz	1KHz	10KHz~
16 ~ 100V	0.88	0.90	1.00	1.15	1.15
160 ~ 250V	0.85	0.88	1.00	1.15	1.20
400 ~ 450V	0.88	0.90	1.00	1.10	1.15

ALUMINUM ELECTROLYTIC CAPACITORS

• Size & ripple current

Unit: DxDL(mm)

WV(SV) Cap(μF)	16V			25V			35V			50V			
2700										22x30	25x25		
										1.70	1.70		
3300							22x25			22x35	25x30		
							1.43			1.98	2.00		
3900							22x30			22x40	25x35	30x25	
							1.65			2.25	2.28	2.22	
4700				22x25			22x35	25x25		22x45	25x40	30x30	
				1.55			1.89	1.78		2.56	2.61	2.58	
5600				22x30			22x35	25x30	30x25	22x50	25x40	30x35	
				1.76			2.02	2.04	2.12	2.89	2.81	2.95	
6800	22x25			22x30	25x25		22x40	25x35		25x50	30x40	35x30	
	1.60			1.91	1.91		2.28	2.31		3.37	3.39	3.31	
8200	22x30			22x35	25x30	30x25	22x50	25x40	30x30		30x45	35x35	
	1.85			2.14	2.16	2.25	2.67	2.60	2.56		3.71	3.66	
10000	22x30	25x25		22x40	25x35			25x45	30x35		30x50	35x40	
	1.99	1.99		2.40	2.44			2.92	2.92		4.09	4.07	
12000	22x35	25x30	30x25	22x45	25x40	30x30		25x50	30x40	35x30			35x45
	2.28	2.30	2.38	2.69	2.74	2.70		3.26	3.28	3.20			4.50
15000	22x40	25x35			25x45	30x35	35x30		30x45	35x35			
	2.64	2.68			3.15	3.13	3.22		3.74	3.69			
18000	22x45	25x40	30x30		25x50	30x40				35x40			
	2.98	3.04	3.00		3.54	3.54				4.16			
22000		25x45	30x35			30x45	35x35			35x50			
		3.40	3.39			4.24	3.96			4.92			
27000		25x50	30x40	35x30			35x45						
		3.81	3.83	3.74			4.75						
33000			30x45	35x35			35x50						
			4.30	4.24			5.39						
39000			30x50	35x40									
			4.74	4.72									
47000				35x45									
				5.27									

WV(SV) Cap(μF)	63V			80V			100V			
1000				22x30	25x25		22x35	25x30		
				1.29	1.29		1.54	1.56		
1200	22x25			22x30	25x25		22x40	25x35	30x25	
	1.25			1.39	1.39		1.74	1.76	1.71	
1500	22x30	25x25		22x35	25x30		22x45	25x40	30x30	
	1.44	1.44		1.61	1.62		1.99	2.03	2.00	
1800	22x30	25x25		22x40	25x35	30x25		25x45	30x35	
	1.52	1.52		1.83	1.86	1.81		2.28	2.27	
2200	22x35	25x30		22x45	25x35	30x30		25x50	30x40	35x30
	1.73	1.75		2.09	2.01	2.10		2.57	2.59	2.52
2700	22x40	25x35	30x25		25x45	30x35			30x45	35x35
	1.97	1.99	1.93		2.43	2.43			2.94	2.90
3300	22x50	25x40	30x30		25x50	30x40	35x30		30x50	35x40
	2.32	2.27	2.24		2.76	2.78	2.71		3.32	3.31
3900		25x45	30x35			30x45	35x35			35x45
		2.54	2.55			3.12	3.07			3.69
4700		25x50	30x40	35x30		30x50	35x40			35x50
		2.88	2.90	2.83		3.52	3.50			4.14
5600			30x45	35x35			35x45			
			3.28	3.24			3.87			
6800			30x50	35x40			35x50			
			3.73	3.71			4.19			
8200				35x45						
				4.16						
10000				35x50						
				4.69						

Case size
Allowable ripple

ALUMINUM ELECTROLYTIC CAPACITORS

• Size & ripple current

Unit: DxL(mm)

WV(SV) Cap(μF)	160V				180V				200V				250V			
150													22x25			
													0.65			
180													22x25			
													0.75			
220													22x30	25x25		
													0.85	0.85		
270	22x25				22x25				22x25				22x35	25x30	30x25	
	0.90				0.90				0.90				1.00	1.00	1.00	
330	25x25				22x30				22x30	25x25			22x40	25x30	30x25	
	1.00				1.05				1.05	1.05			1.10	1.10	1.10	
390	22x30				22x30	25x25			22x35	25x30			22x45	25x40	30x30	
	1.15				1.20	1.20			1.25	1.25			1.25	1.25	1.25	
470	22x35	25x25			22x35	25x30			22x40	25x30	30x25		22x50	25x40	30x35	35x25
	1.30	1.30			1.30	1.30			1.35	1.35	1.35		1.30	1.30	1.30	1.30
560	22x40	25x30			22x40	25x35	30x25		22x45	25x35	30x30			25x50	30x35	35x30
	1.45	1.45			1.40	1.40	1.40		1.50	1.50	1.50			1.55	1.55	1.55
680	22x45	25x35	30x25		22x45	25x40	30x30		22x50	25x45	30x30	35x25			30x45	35x35
	1.65	1.65	1.65		1.65	1.65	1.65		1.70	1.70	1.70	1.70			1.80	1.80
820	22x50	25x40	30x30	35x25	22x50	25x45	30x35	35x25		25x50	30x35	35x30				35x40
	1.80	1.80	1.80	1.80	1.85	1.85	1.85	1.85		1.90	1.90	1.90				1.95
1000		25x45	30x35	35x30		25x50	30x40	35x30			30x45	35x35				35x45
		2.00	2.00	2.00		2.05	2.05	2.05			2.15	2.15				2.30
1200		25x50	30x40	35x30			30x45	35x35			30x50	35x35				35x50
		2.30	2.30	2.30			2.30	2.30			2.30	2.30				2.65
1500			30x45	35x35			30x50	35x40				35x45				
			2.65	2.65			2.70	2.70				2.75				
1800			30x50	35x45				35x45				35x50				
			3.05	3.05				3.15				3.25				
2200				35x50				35x50								
				3.50				3.60								

WV(SV) Cap(μF)	350V				400V				450V			
56	22x20								22x25			
	0.40								0.41			
68	22x25				22x25				22x30	25x25		
	0.51				0.40				0.48	0.48		
82	22x25	25x20			22x30	25x25			22x35			
	0.56	0.51			0.50	0.50			0.56	25x30		
100	22x30	25x25	30x20		22x35	25x30			22x40	0.61	30x25	
	0.69	0.69	0.59		0.55	0.55			0.64	25x35	0.63	
120	22x35	25x25	30x20		22x40	25x30	30x25		22x45	0.71		
	0.75	0.75	0.64		0.60	0.60	0.60		0.72	25x40		
150	22x40	25x30	30x25	35x20	22x45	25x35	30x30		22x50	0.81	30x30	35x25
	0.82	0.83	0.83	0.76	0.70	0.70	0.70		0.83	25x45	0.80	0.82
180	22x45	25x35	30x25	35x25	22x50	25x40	30x30	35x25		0.92	30x35	
	0.92	0.92	0.91	0.94	0.85	0.85	0.85	0.85		25x50	0.91	
220	22x50	25x40	30x30	35x25		25x45	30x35	35x30		1.05	30x40	35x30
	1.05	1.04	1.02	1.04		0.90	0.90	0.90			1.05	1.03
270		25x45	30x35	35x30		25x50	30x40	35x30			30x45	35x35
		1.18	1.17	1.20		1.00	1.00	1.00			1.21	1.19
330			30x40	35x30			30x45	35x35			30x50	35x40
			1.34	1.33			1.25	1.25			1.38	1.38
390			30x45	35x35			30x50	35x40				35x45
			1.51	1.47			1.35	1.35				1.55
470				35x40				35x45				35x50
				1.69				1.45				1.74
560				35x45				35x50			Case size	
				1.90				1.65			Allowable ripple	

Allowable Ripple (A rms) at 105°C 120Hz